

- Wireless, RF SAW Filter
- Revision 0: December 2013

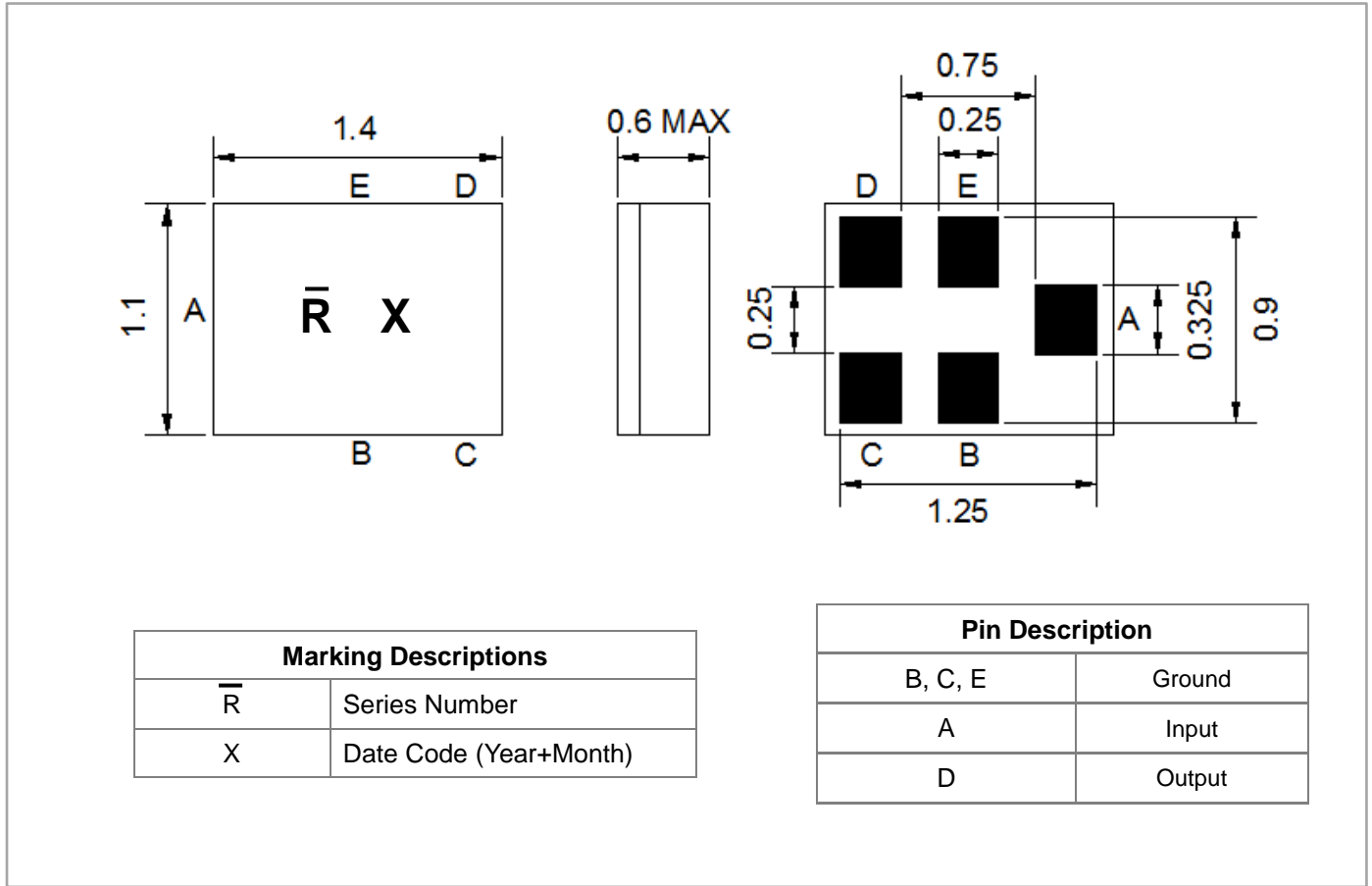
## Electrical Characteristics

MAXIMUM RATING				
PARAMETERS DESCRIPTION	UNIT	MINIMUM	TYPICAL	MAXIMUM
Operating Temperature Range	°C	-30	-	+80
Storage Temperature Range	°C	-40	-	+85
Maximum DC Voltage	V	-	-	0
Maximum Input Power	dBm	-	-	15
Source Impedance (single ended) <sup>(1)</sup>	Ω	-	50	-
Load Impedance (single ended) <sup>(1)</sup>	Ω	-	50	-
Package type & size	C23			
Length x Width	mm <sup>2</sup>	-	1.4 x 1.1	-
Height	mm	-	-	0.6

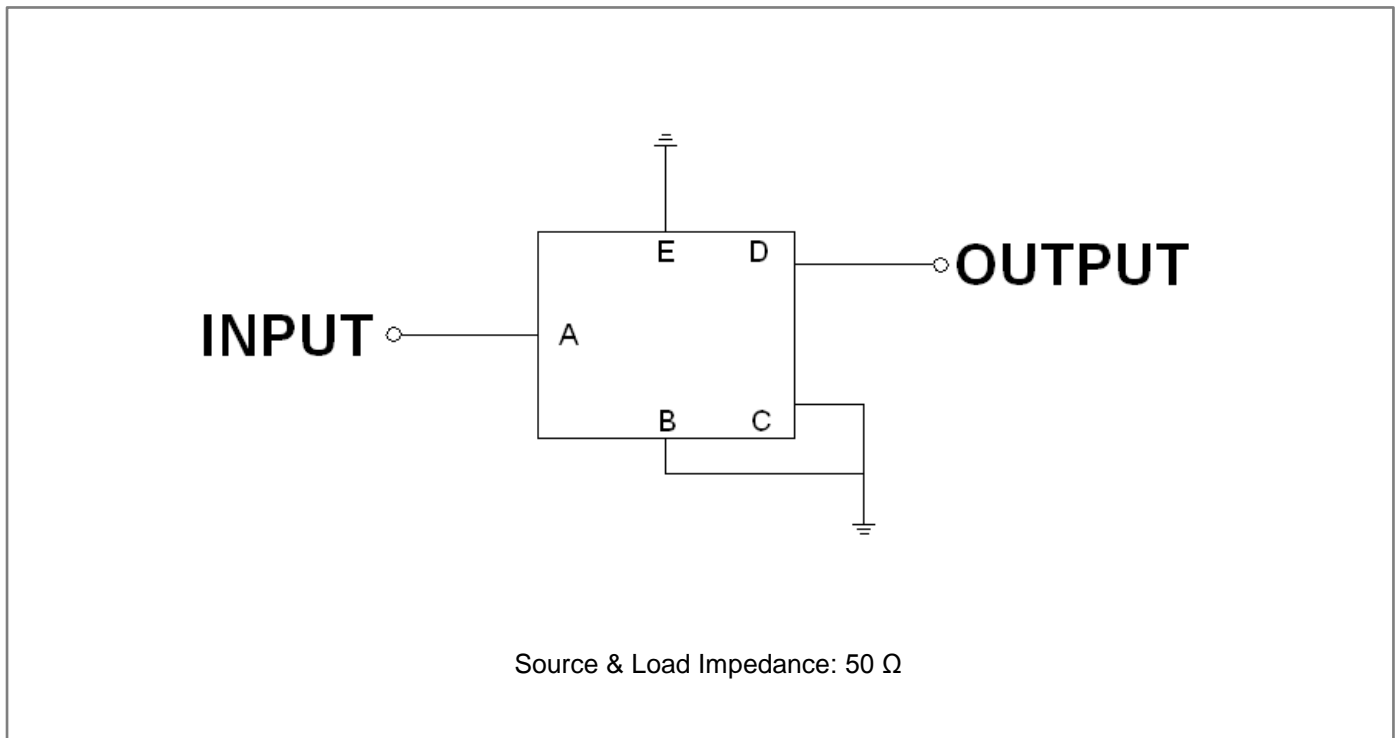
ELECTRICAL SPECIFICATION				
PARAMETERS DESCRIPTION	UNIT	MINIMUM	TYPICAL	MAXIMUM
Center Frequency (Fo)	MHz	-	2463.0	-
Insertion Loss within 2442.0 ~ 2485.0 MHz	dB	-	3.7	4.2
Amplitude Ripple within 2442.0 ~ 2485.0MHz	dB <sub>p-p</sub>	-	2.1	2.5
<b>Attenuation:</b>				
2300.0~ 2400.0 MHz	dB	30	38	-
VSWR within 2442.0 ~ 2485.0 MHz	-	-	2.0	2.3

**Notes:** (1) No Matching Network (Ref. Testing Environment Circuit as shown below).

## Package Dimensions

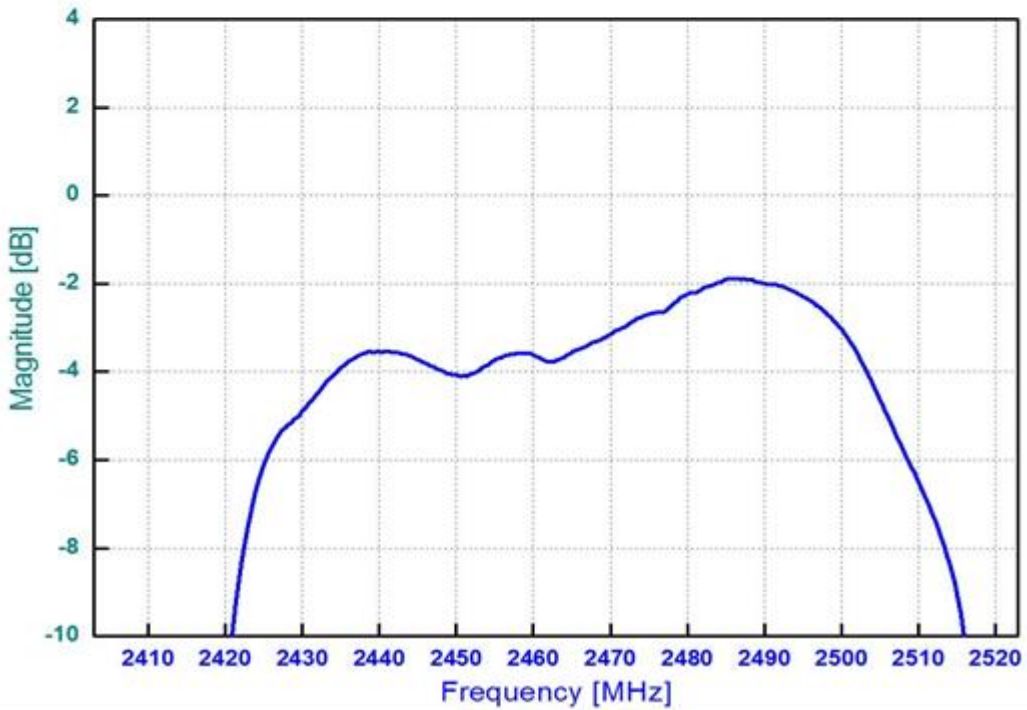
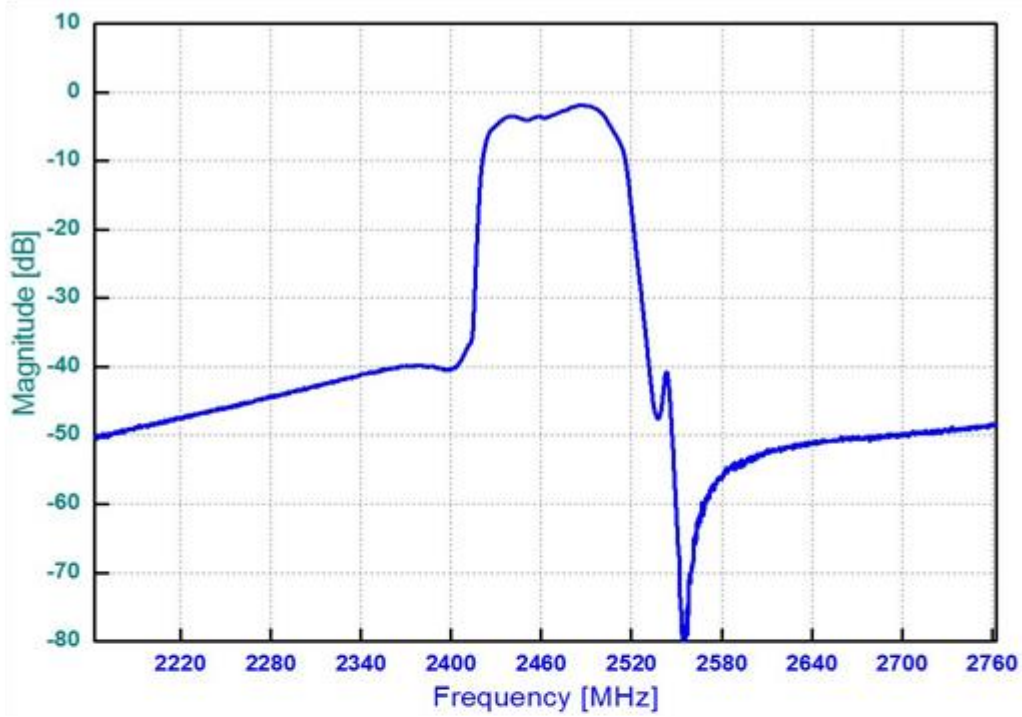


## Testing Environment

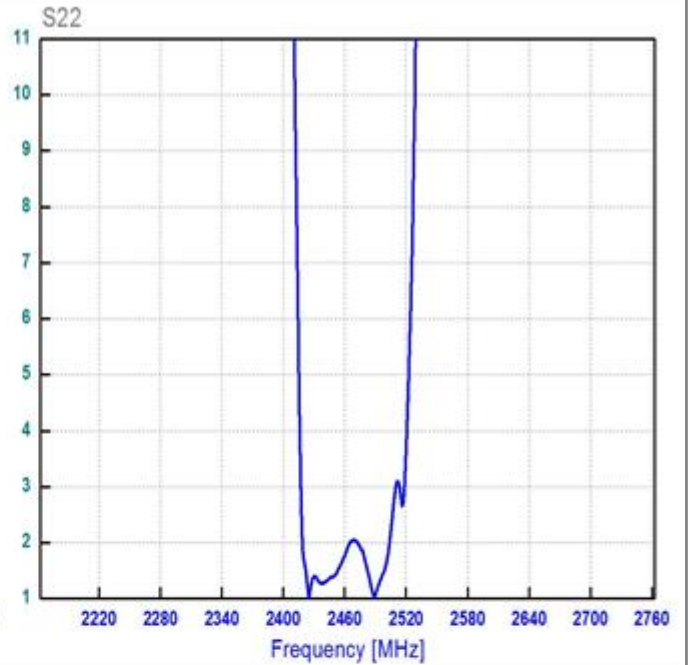
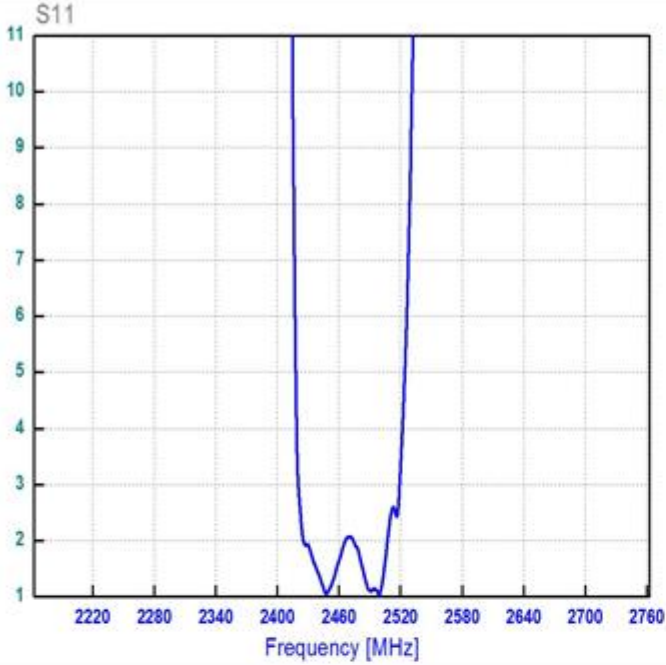


**Frequency Characteristics**

**Frequency Response**



**VSWR**



**Smith Chart**

